



TOGETHER WE BUILD THE WORLD



SLAB SYSTEM


FLEXI DECK

FLEXI DECK

THE FLEXIBLE SLAB SYSTEM

MAIN FEATURES

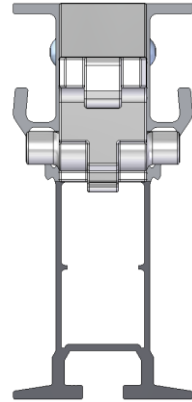
- Simple
- Fast installation
- Durability
- High performance
- Versatility on the job site
- Sloping slab



HIGH COMPATIBILITY
WITH ALUFORT 2.0
SLAB SYSTEM

SYSTEM ELEMENTS

PRIMARY BEAMS:



ALUMINUM PROFILE WITH LATERAL CHANNELS
TO RECEIVE PRIMARY AND SECONDARY BEAMS

LENGTH: 8 ft / 2438 mm

WEIGHT: 42.3 lbs / 19,2 kg

COD. 9169526

LENGTH: 6 ft / 1829 mm

WEIGHT: 29.1 lbs/ 13,2 kg

COD. 9169527

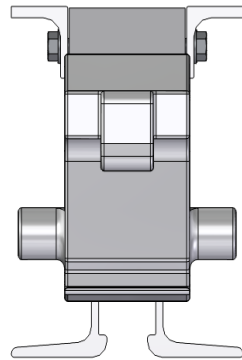
LENGTH: 4 ft / 1219 mm

WEIGHT: 19,8 lbs / 9,0 kg

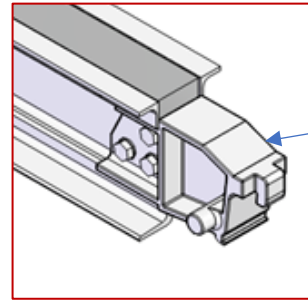
COD. 9169528

SYSTEM ELEMENTS

SECONDARY BEAMS:



ALUMINUM PROFILE WITH RECYCLED PLASTIC/
TIMBER NAILER - ELEMENT FOR PLYWOOD FIXING



BOLTED ALU END-HEADS



LENGTH: 8 ft / 2438 mm
COD. 9169523

WEIGHT*: 22.5 lbs / 10,2 kg

LENGTH: 6 ft / 1829 mm
COD. 9169524

WEIGHT*: 14.6 lbs / 6,6 kg

LENGTH: 4 ft / 1219 mm
COD. 9169553

WEIGHT*: 9,7 lbs / 4,4 kg

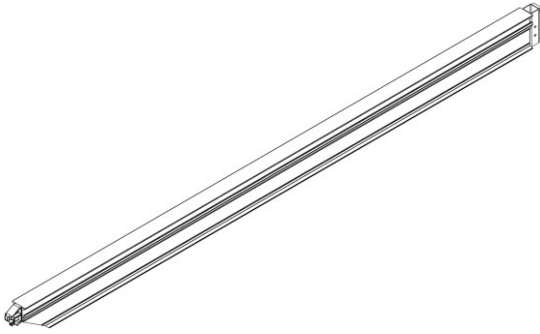
LENGTH: 3 ft / 914 mm
COD. 9169525

WEIGHT*: 7,5 lbs / 3,4 kg

* weights depends on the insert type (PVC filler considered)

SYSTEM ELEMENTS

CANTILEVER BEAM*:



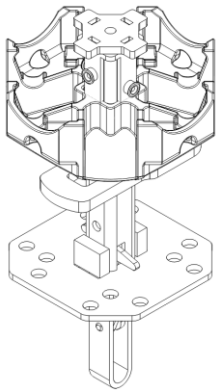
LENGTH: 12 ft / 3436 mm

WEIGHT: 65,9 lbs / 29,9 kg

COD. 9169529

*ONE HEAD BEAM + RAILING BRACKET

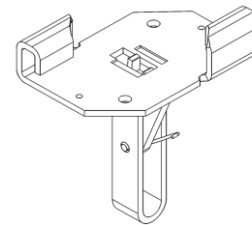
DROPHEAD:



WEIGHT: 10,2 lbs / 4,6 kg

COD. 7163694

MIDDLE-HEAD:

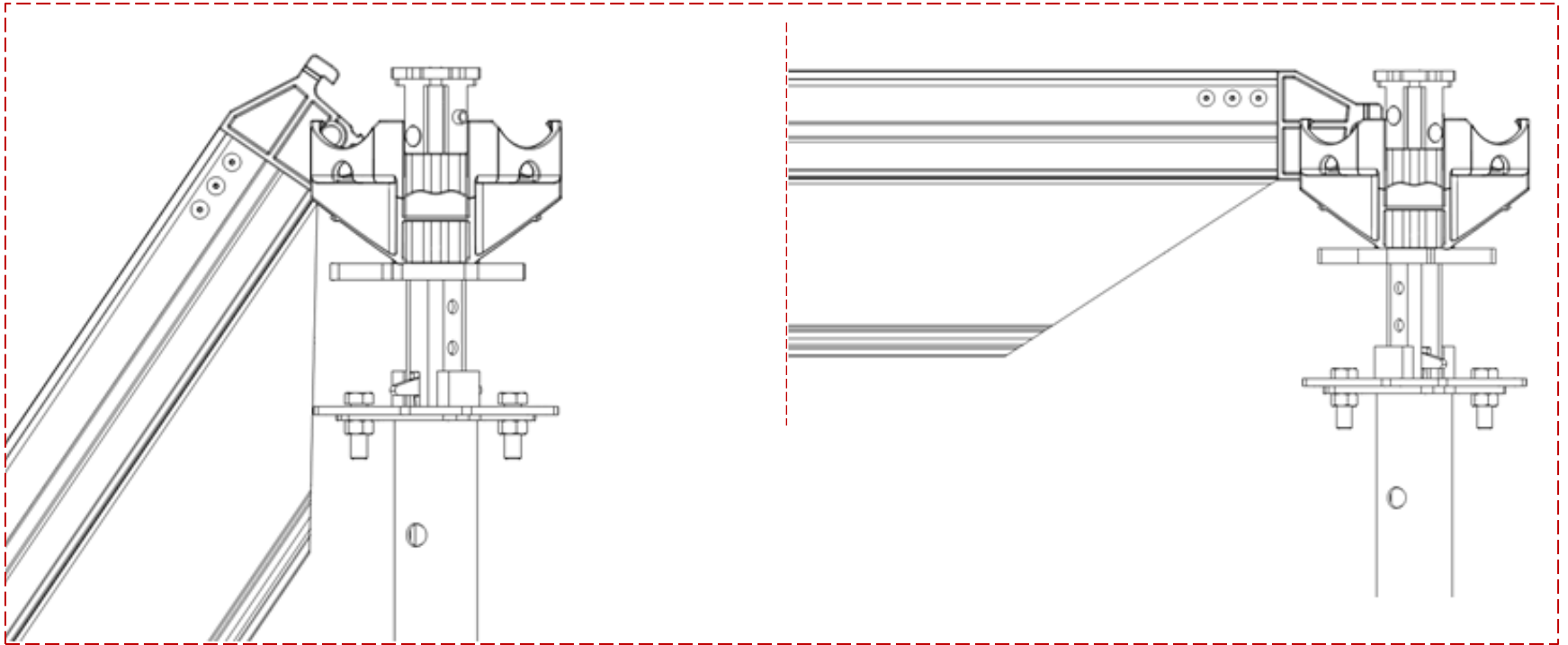


WEIGHT: 2,5 lbs / 1,1 kg

COD. Z100008

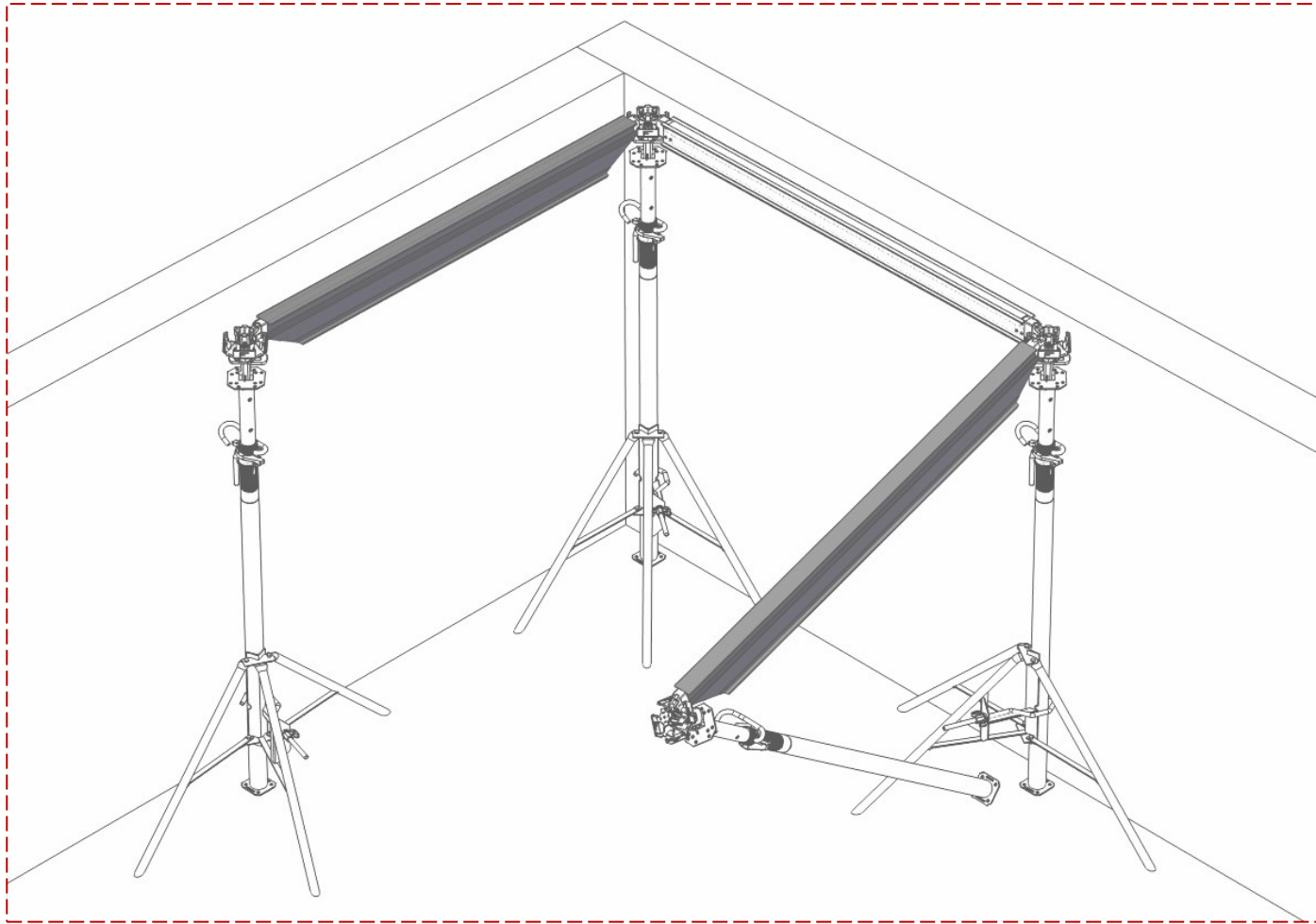
ASSEMBLIES

PRIMARY BEAM ON DROPHEAD



ASSEMBLIES

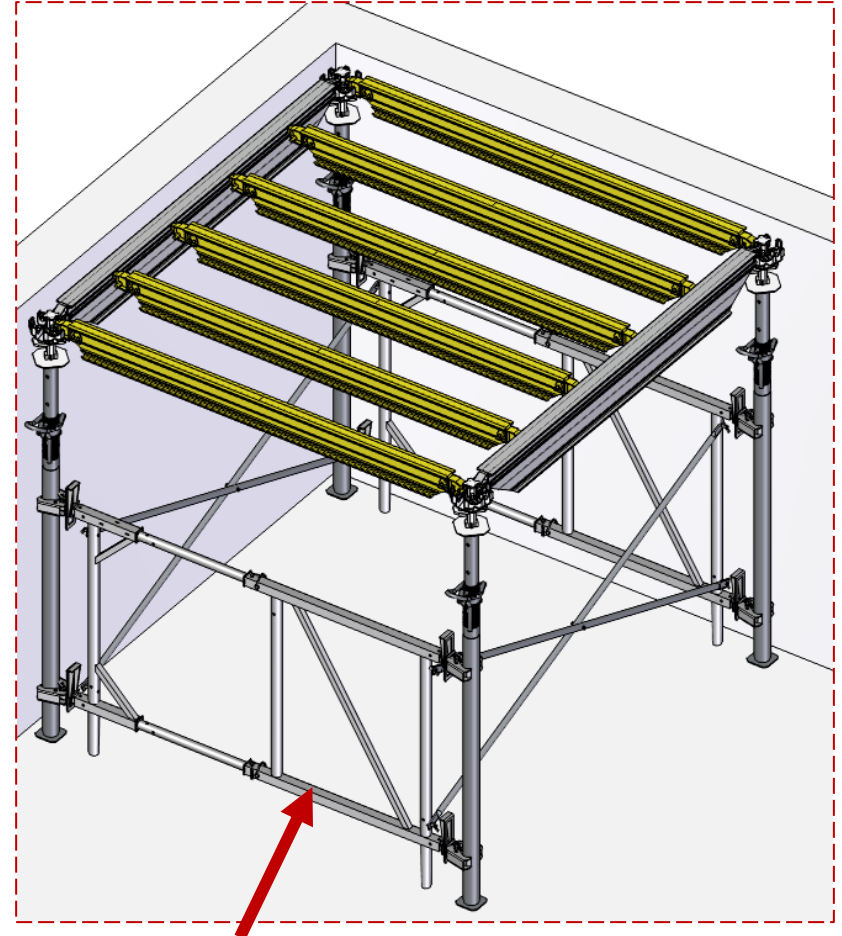
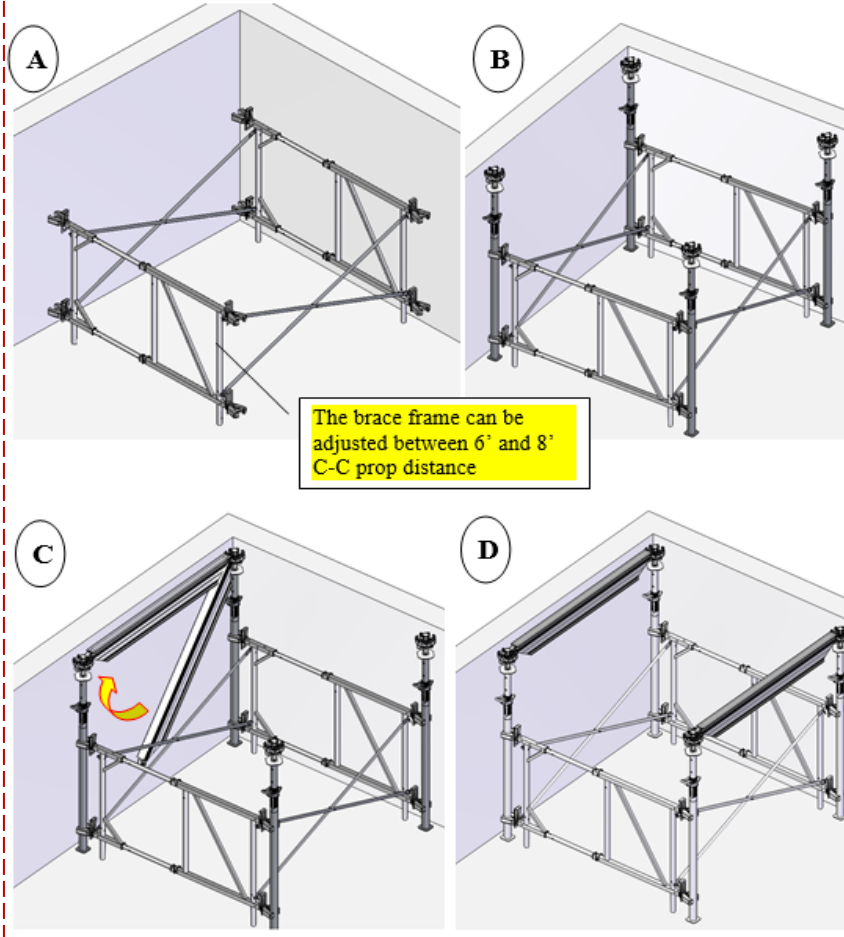
PRIMARY BEAM ON DROPHEAD



ASSEMBLIES

ALTERNATIVE TO THE TRIPOD USING BRACES

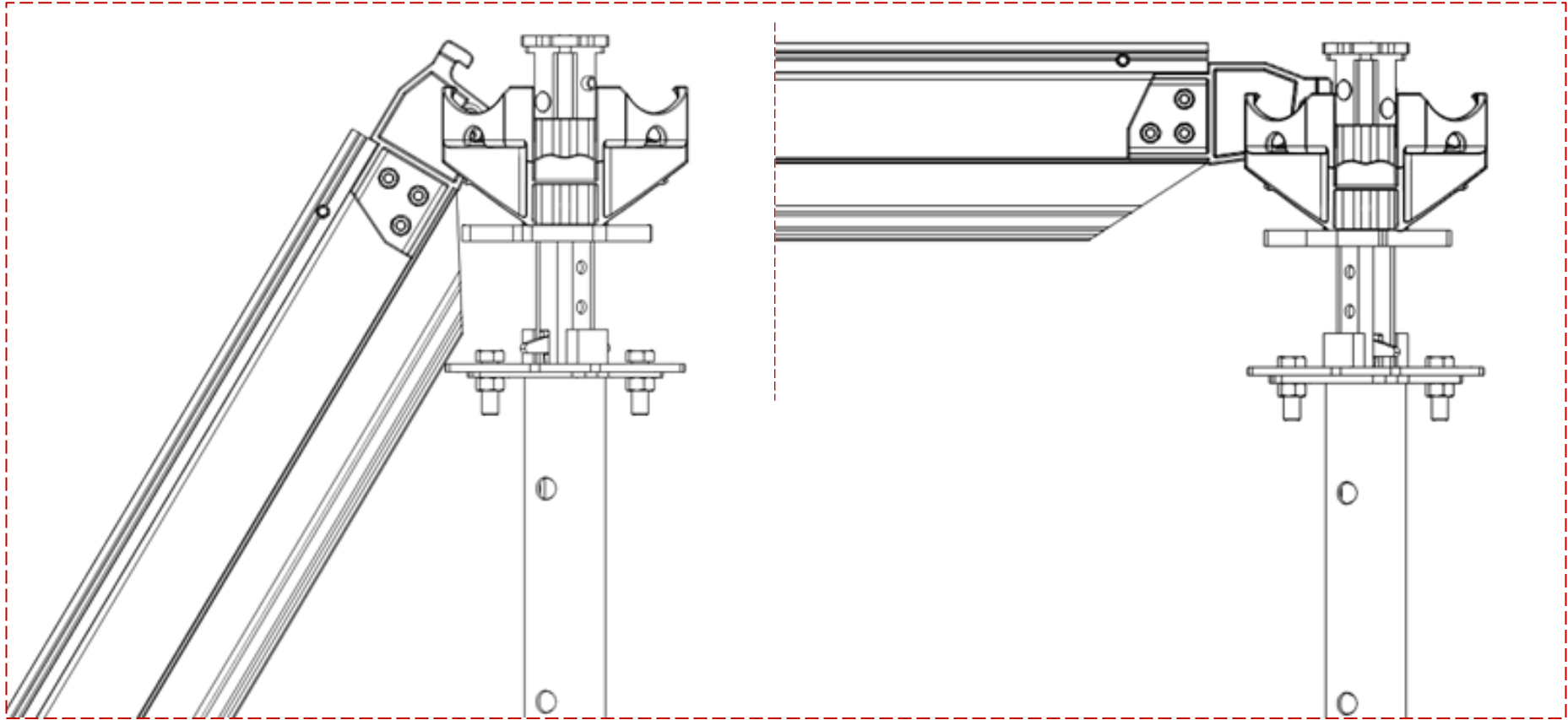
B. In case bracing frames are used the assembly starts by creating a bracing block made of bracing frames and cross diagonals.



Braces available both for steel props and Alu-up props

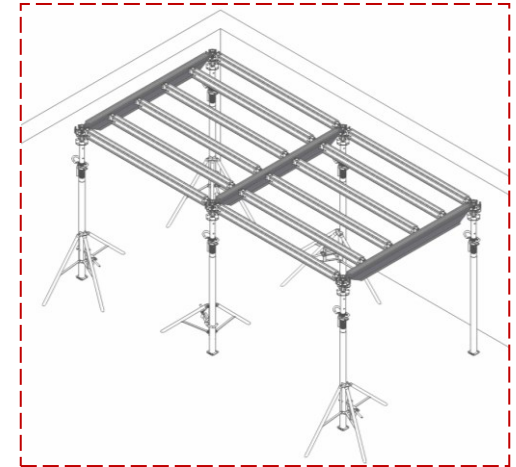
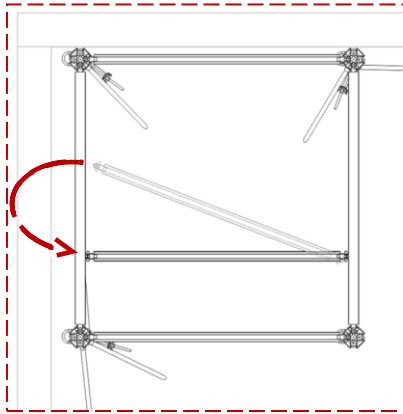
ASSEMBLIES

SECONDARY BEAM ON DROPHEAD



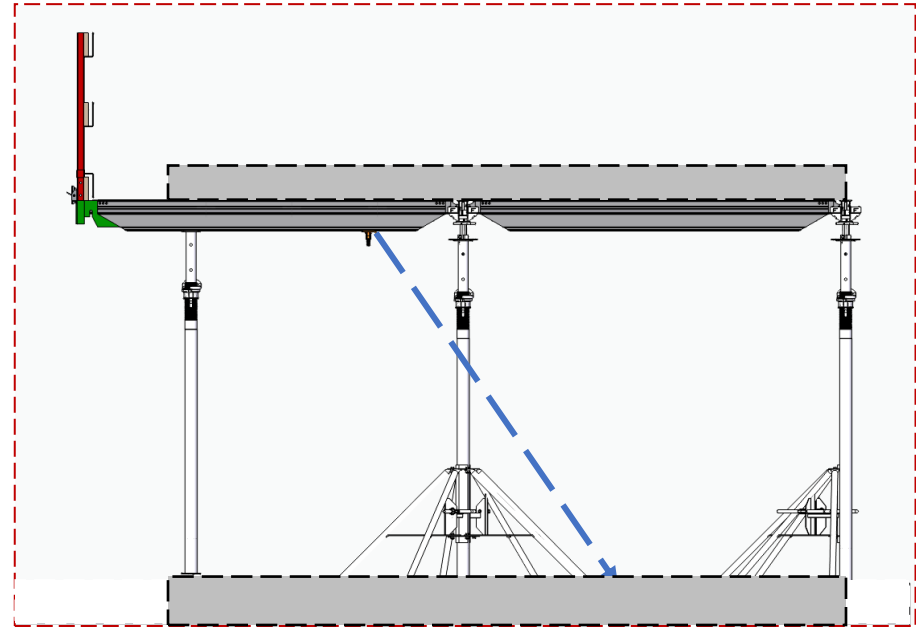
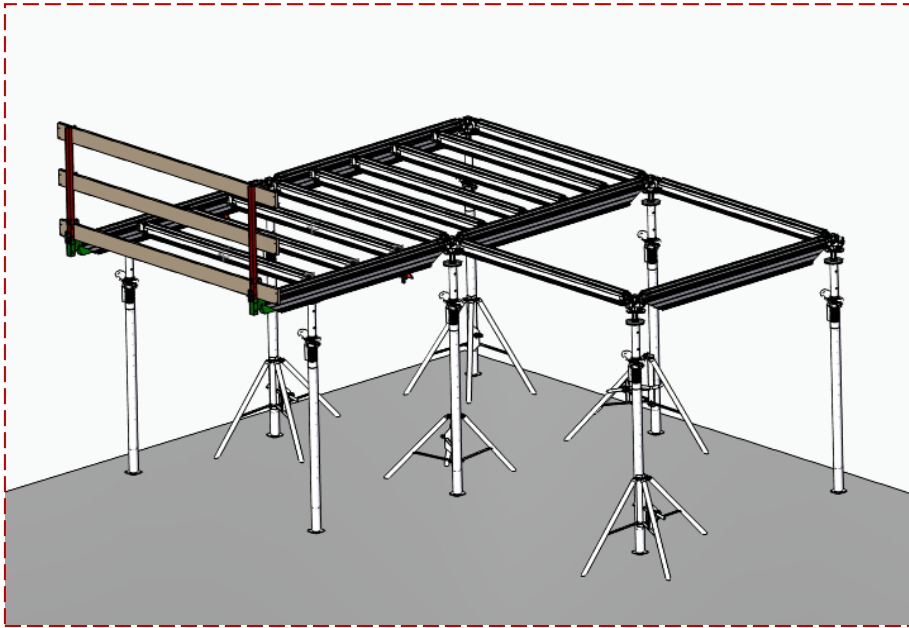
ASSEMBLIES

SECONDARY BEAM ON PRIMARY BEAM CHANNEL



ASSEMBLIES

CANTILIEVER WITH GUARD RAILING



ASSEMBLIES

DROP-BEAMS

FOR DROP BEAMS ALL ALUFORT SYSTEM ACCESSORIES CAN BE FIXED ON THE FLEXIDECK PRIMARY BEAMS

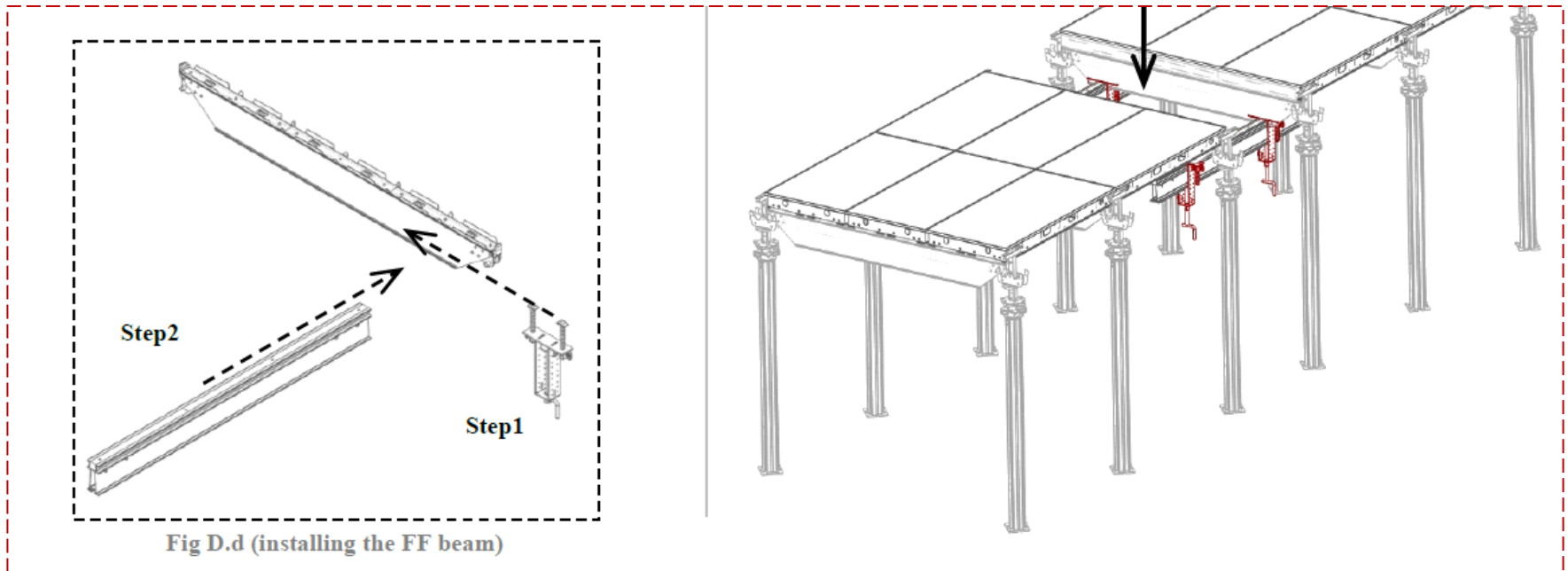
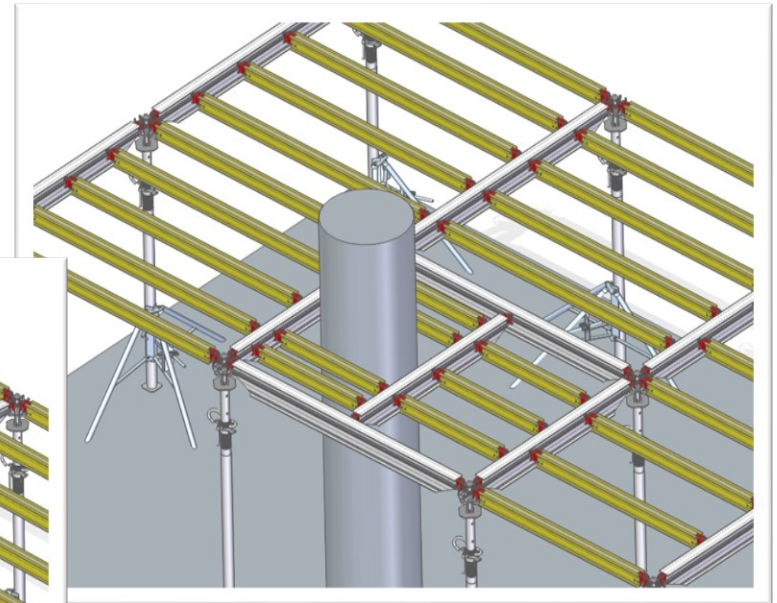
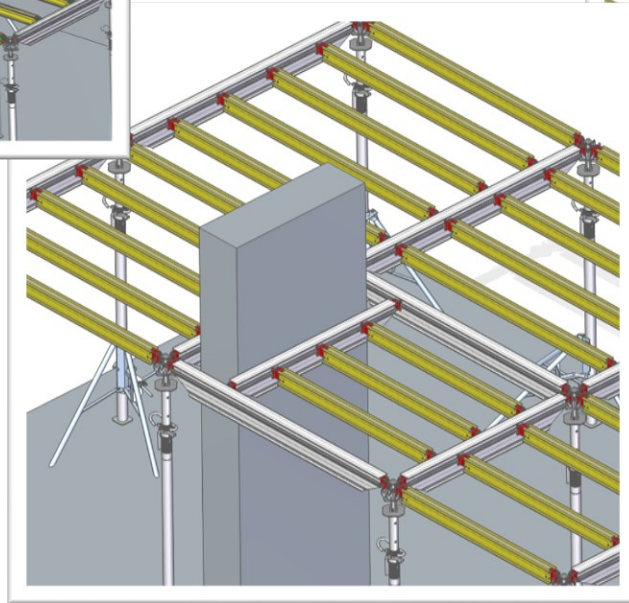
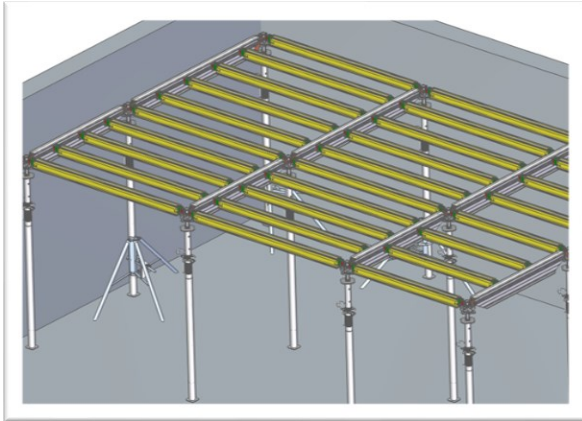


Fig D.d (installing the FF beam)

POSSIBLE CONFIGURATIONS

...OTHER CONFIGURATIONS ARE POSSIBLE DUE TO THE VERSATILITY OF THE SYSTEM!



ASSEMBLY IMAGES





TOGETHER WE BUILD THE WORLD
